



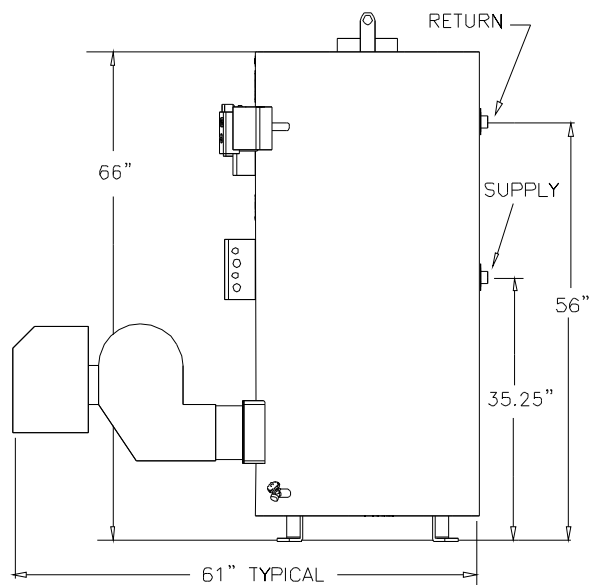
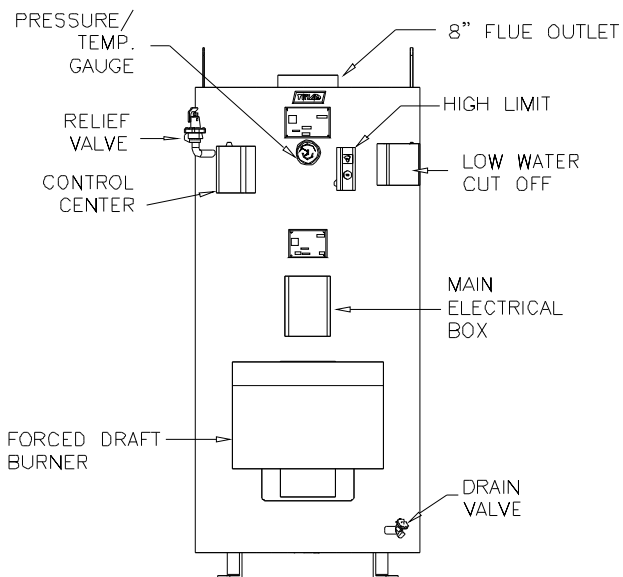
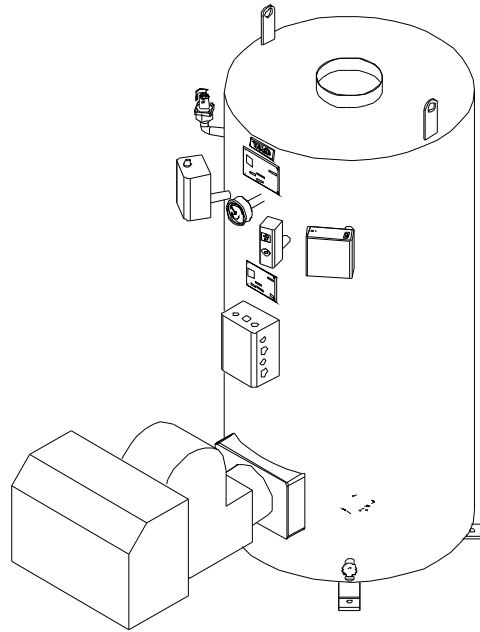
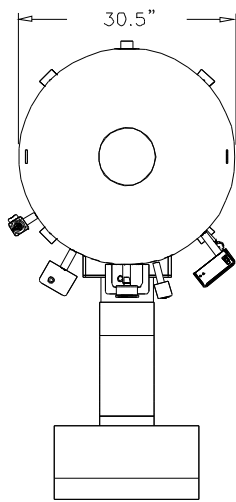
ICON BOILER

Greensboro, NC 27455

(844)562-ICON

iconboiler.com

**ICON BOILER
SERIES 900 DOMESTIC HOT WATER BOILER
HYDRONIC PACKAGED FIRETUBE BOILERS**



Note: Dimensions subject to change without notice.



SERIES 900 DOMESTIC HOT WATER BOILER (Model 900 DHW)

The Series 900 is a steel vertical firetube packaged boiler with a water-backed combustion chamber equipped with high-efficiency turbulators. Boilers come fully wired, and fit through a 32" doorway.

STANDARD EQUIPMENT:

Forced Draft Burner (UL Listed)
 Circulating Pump for coil
 Copper coil – 97' long, 1.5" diameter
 Honeywell Control Center
 Low Water Cut-Off
 Combination Pressure/Temperature Gauge
 Operating Light
 Relief Valve
 Second Safety High Limit with Manual Reset
 Vessel Pressure Rating of 125 PSI

OPTIONAL EQUIPMENT:

Gas Fired (NG or Propane), Oil Fired, or Dual Fuel Burners
 UL, IRI, FM and CSD-1 Compliance
 Low-High, Low-High-Low and Modulating Gas Trains
 Sealed Combustion Air Intake
 Barometric Dampers
 LWCO with Manual or Auto Reset, Test Light, and/or Test Button
 UL Listed Boiler/Burner Package.

SPECIFICATIONS:

Input BTU/Hr	Output BTU/Hr	Efficiency	GPM @ °F Rise
600,000	508,800	84.8%	10.2 @ 100°F
700,000	589,400	84.2%	11.8 @ 100°F
800,000	664,800	83.1%	13.3 @ 100°F
900,000	746,100	82.9%	14.9 @ 100°F
1,000,000	822,000	82.2%	16.5 @ 100°F

Note: Typical for Natural Gas. - Oil or LP burner data may vary.

APPLICATIONS:

Domestic Hot Water

CLEARANCES & CONNECTIONS:

Clearance needed between boilers 6" (36" center to center) and 8" from front of burner for service.
 Supply & return diameters – 1.50"

CONTROL:

The Series 900 can operate on its own controls, but a microprocessor control panel is recommended for sequencing more than two boilers to minimize run-time and fuel usage.

FLUE: Category 1 when properly applied.

POWER: 120V, 60Hz, Single Phase, fused for 30 amps. Min / Max gas pressure, typically 5.6" / 14" WC

WEIGHT/VOLUME:

Shipping Weight – 1,300 lbs.
 Operating Weight - 1,922 lbs.
 Vessel Water Volume – 75 Gallons

Factory built copper or steel mains available upon request.

ALL BURNER EQUIPMENT UL APPROVED

ICON BOILER REPRESENTATIVE

ICON BOILER
 2025 16th Street
 Greensboro, NC 27455
 (844)562-ICON
 iconboiler.com