



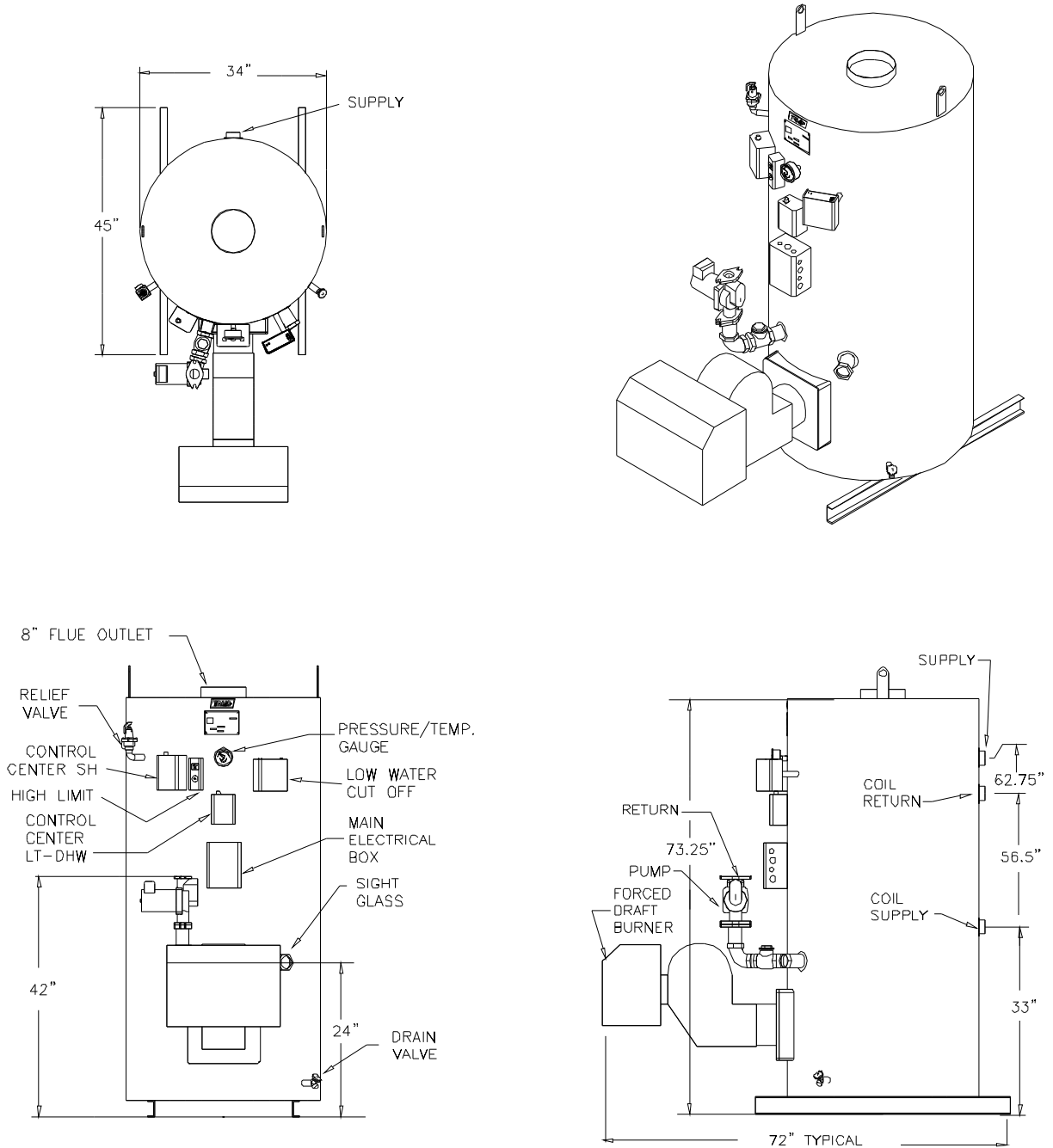
ICON BOILER

Greensboro, NC 27455

(844)562-ICON

iconboiler.com

ICON BOILER SERIES 1600 SPACE HEAT and DOMESTIC HOT WATER BOILER



Note: Dimensions subject to change without notice.



SERIES 1600 BOILER (Model 1600 SH-C-DHW)

The Series 1600 is a steel vertical firetube packaged boiler with a water-backed combustion chamber equipped with high-efficiency turbulators. Boilers come fully wired, and fit through a 36" doorway.

STANDARD EQUIPMENT:

Low/High/Off Power Burner (UL Listed)
 Circulating Pump – Vessel Water
 Circulating Pump – Coil Water
 Honeywell Control Centers for SH and LT
 Low Water Cut-Off
 Combination Pressure/Temperature Gauge
 Operating Light
 Relief Valve
 Second Safety High Limit with Manual Reset
 Vessel Pressure Rating of 125 PSI
 UL Listed Boiler/Burner Package.

OPTIONAL EQUIPMENT:

Gas Fired (NG or Propane), Oil Fired, or Dual Fuel Burners
 UL, IRI, FM and CSD-1 Compliance
 Low-High-Low and Modulating Gas Trains
 Sealed Combustion Air Intake
 Barometric Dampers
 LWCO with Manual or Auto Reset, Test Light, and/or Test Button

SPECIFICATIONS:

Input BTU/Hr	Output BTU/Hr	Efficiency	GPM @ °F Rise Vessel Side	GPM @ °F Rise Coil Side
1,400,000	1,162,800	83.0%	116.7 @ 20°F	16.5 @ 100°F
1,500,000	1,245,000	83.0%	100.0 @ 25°F	16.5 @ 100°F
1,600,000	1,328,000	83.0%	106.7 @ 25°F	16.5 @ 100°F
1,700,000	1,411,000	83.0%	113.3 @ 25°F	16.5 @ 100°F

Note: Typical for Natural Gas. - Oil or LP burner data may vary.

APPLICATIONS:

Space Heating – typically 130°F -210°F
 Domestic Hot Water – typically 120°F - 180°F

CLEARANCES & CONNECTIONS:

Clearance recommended between boilers - 6"; From front of burner for service – 10".
 Supply & Return Openings – 2.00"

CONTROL:

The Series 1600 can operate on its own controls, but a microprocessor control panel is recommended for sequencing more than two boilers to minimize run-time and fuel usage.

Flue: Category I when applied appropriately.

POWER: 120V, 60Hz, Single Phase, fused for 30 amps. Min / Max gas pressure, typically 5.9" / 14" WC

WEIGHT/VOLUME:

Shipping Weight – 1700 lbs.
 Operating Weight – 3037 lbs.
 Water Volume – 109 gallons

ALL BURNER EQUIPMENT UL APPROVED

ICON BOILER REPRESENTATIVE:

ICON BOILER
 2025 16th Street
 Greensboro, NC 27455
 (844)562-ICON
 iconboiler.com